

STEAM DISTRIBUTION / CONDENSATE COLLECTION MANIFOLD CV/CC -N

General Description

In large steam using industries, long distribution lines for steam and condensate service provide a constant source of maintenance hazards and energy wastage through numerous leakages.

BiTherm steam and condensate manifolds are designed to solve such long standing problems (vertical installation).

Fabricated headers to supply steam and collect condensate from cause a constant source of leakage. More over this also spoil the aesthetics of a well designed plant. What with continuous monetary losses due to energy wastage.

Main features

BiTherm steam and condensate manifolds are made from forged steel to suit various operating conditions. These are available in configurations of 4, 8 or 12 ways.

Integral piston valves of seatless design will ensure that leakages across seat are eliminated totally.

Forged design minimizes the welding requirements making it much easier to operate and maintain. Space-saving design is for vertical installation. A simple arrangement of threaded M16 connection at the back provides a better way of attaching these manifolds to structural supports.

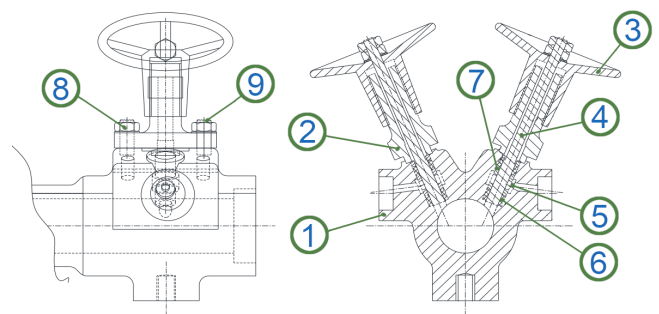
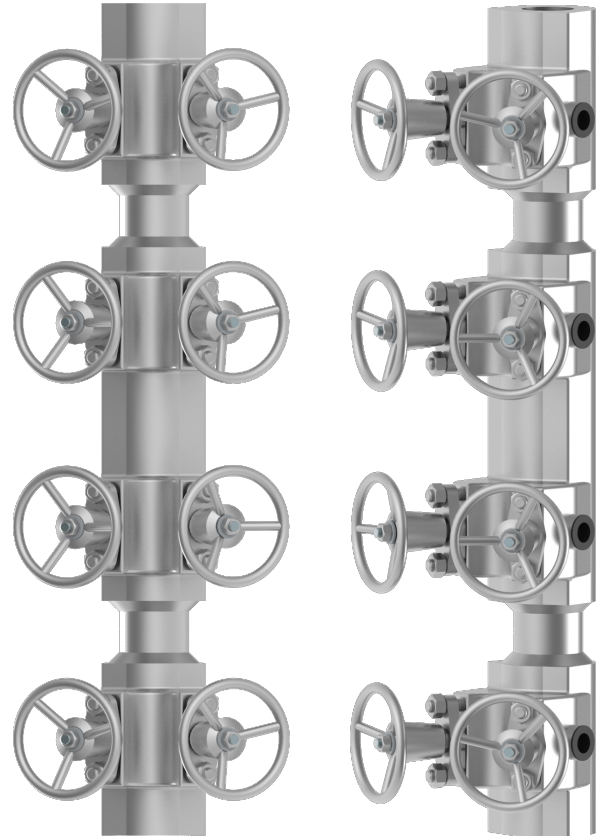
Body design conditions

ANSI Class 300 designed for a maximum cold hydraulic test pressure of 76 barg.

Size and pipe connections

Manifolds are available with 4, 8 or 12 connections. End connections flanged to ANSI class 150 or 300, socket to ANSI B16.11 class 3000.

The steam main / condensate return connection is 1 1/2". The tracer line and drain connections are available as 1/2" and 3/4".

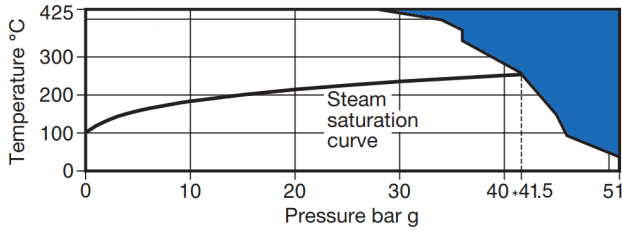


Materials

1 Body	ASTM A105
2 Bonnet	ASTM A105
3 Hand wheel	ASTM A216 WCB
4 Spindel	AISI 410
5 Lantern bush	AISI 410
6 Lower valve ring	KxGT
7 Upper valve ring	KxGT
8 Bonnet nut	ASTM A194 Gr. 2H
9 Stud bolt	ASTM A193 Gr. B7

STEAM & CONDENSATE MANIFOLD CV/CC -N

Operating range



The product **must not** be used in this region.

*PMO maximum operating pressure for steam service. For flanged connections with in the operating as per flange specs.

Operation

In operation the piston valve has should be either fully open or fully closed. It is not intended for throttling duties.

As the piston valve has such a large sealing area it is not necessary to use a valve key to ensure dead light shut-off.

Optional

Steam distribution manifolds can be supplied with:

- Trap assembly at the bottom.
- Strainer and valve at the inlet of the manifold.

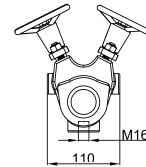
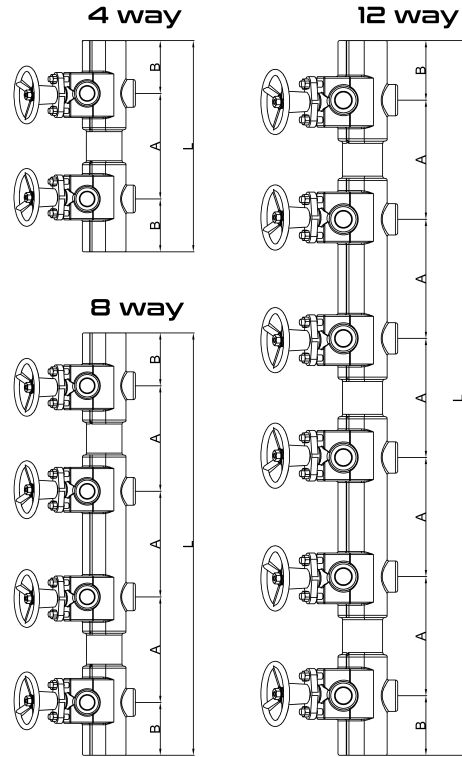
Condensate collection manifolds can be supplied with:

- Trap assembly at the bottom.
- Trap, isolation valves at individual tracing lines.
- Manifolds with take-offs in multiples of four beyond 12.

Spare Parts

- Piston valve ring sets.
- Spindle-piston assembly.
- Tool for ring extraction.

Dimensions



	MANIFOLDS		
	4 way	8 way	12 way
L (mm)	320	640	960
A (mm)	160	160	160
B (mm)	80	80	80
CV Weight (Kg)	11	23	33
CC Weight (Kg)	9	21	28

Dimension/weight (approximate)

Produced in accordance with European Pressure Equipment Directive - PED 2014/68/EU.

Technical modification reserved. Copyright BiTherm 2018.

For more information please visit web www.bitherm-sistemas.com or contact your Bitherm's distributor.