

TRAP VALVE STATION WITH BLOWDOWN PISTON VALVE TVS (DN 15 - 20 / DN 1/2" - 3/4")

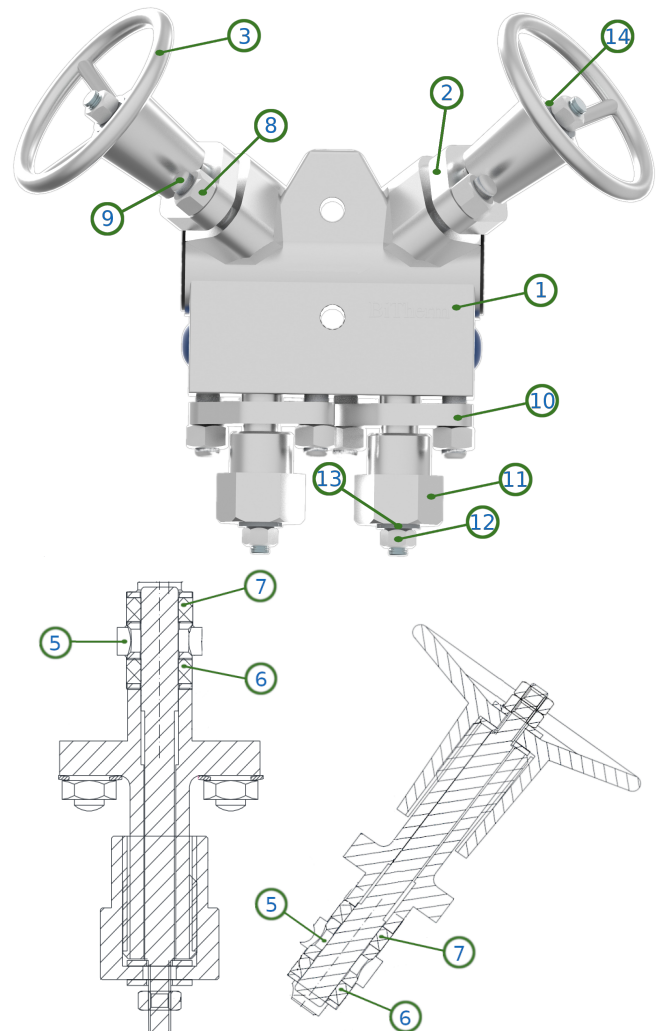
General Description

Bitherm TVS is a compact combination of valves and a trap performing all the functions of steam trap module, permitting discharge of condensate as well as maintenance when required.

Steam traps with universal connector can be fitted to a Bitherm TVS.



Materials



Components

The TVS main components are:

- TVS Body.
- Inlet Isolation Piston Valve.
- Outlet Isolation Piston Valve.
- Inlet Blowdown Piston Valve.
- Outlet Blowdown Piston Valve.

Operating conditions

Max. Pressure Amb. Temp.:	51.1 bar
Max. Pressure 400°C:	34.7 bar
Max. Temperature:	400°C

TVS Body Rating 300#

Connections

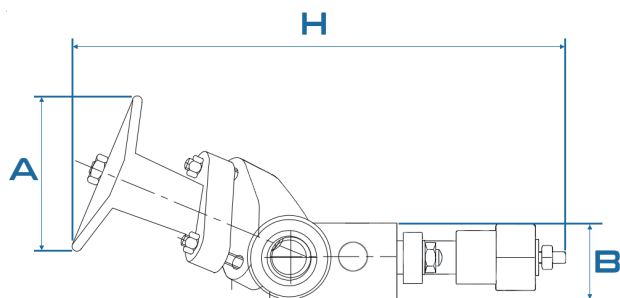
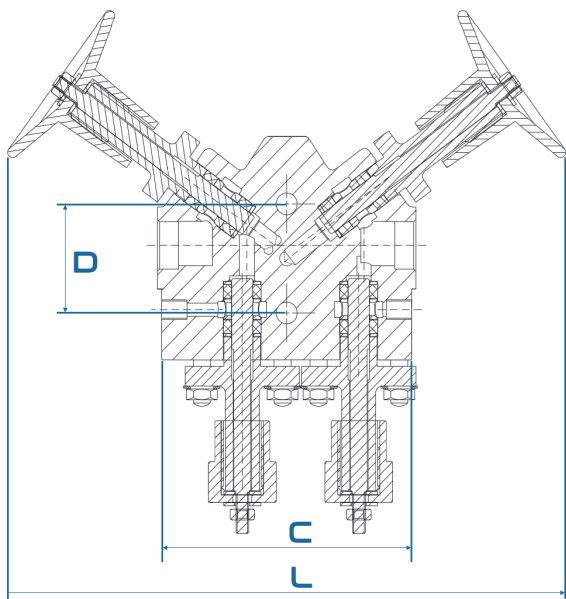
- Socket Weld: 1/2", 3/4".
- Other connections upon request.

Materials

1 Body	ASTM A105
2 Bonnet	ASTM A105
3 Hand wheel	ASTM A216 WCB
4 Integral piston	ASTM A276 TP 410
5 Lantern bush	ASTM A276 TP 410
6 Lower valve ring	KLINGER STD.
7 Upper valve ring	KLINGER STD.
8 Bonnet nut M8	ASTM A194 Gr. 2H
9 Stud	ASTM A193 Gr. B7
10 Bottom bonnet	ASTM A105
11 Bot. Handwheel	ASTM A105
12 Hand wheel nut	AISI 316
13 Belleville washer	50 Cr. V4
14 Plain washer	AISI 304

TRAP VALVE STATION WITH BLOWDOWN PISTON VALVE

Dimensions



H (mm)	212
L (mm)	290
A (mm)	120
B (mm)	35
C (mm)	122
D (mm)	50
E (mm)	10

Approximate weight: 4,5Kg

Other characteristics

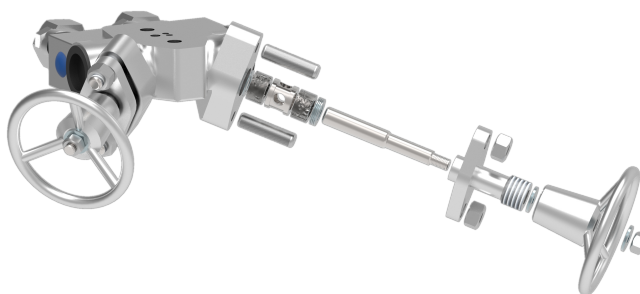
Bitherm TVS can be remotely monitored by SmartWatchWeb system in order to detect anomalies during operation, such as external or internal leaks, condensate discharge temperature, pressure and backpressure problems in order to improve the energy efficiency of the installation.

BENEFITS OF TVS

Bitherm TVS has the following advantages in comparison to a conventional trap module:

- Ease of installation.
- Quick connection with universal steam trap.
- Testing trap online.
- Bypass when trap is being operated.
- Ease of depressurization.
- Compact and rugged.

SPARE PARTS



Spare parts list:

- Integral piston kit.
- Blowdown piston valve.

Produced in accordance with Article 4.3 del PED - European Pressure Equipment Directive - PED 2014/68/EU.

Technical modification reserved. Copyright BiTherm 2018.

For more information please visit web www.bitherm.com or contact your Bitherm's distributor.